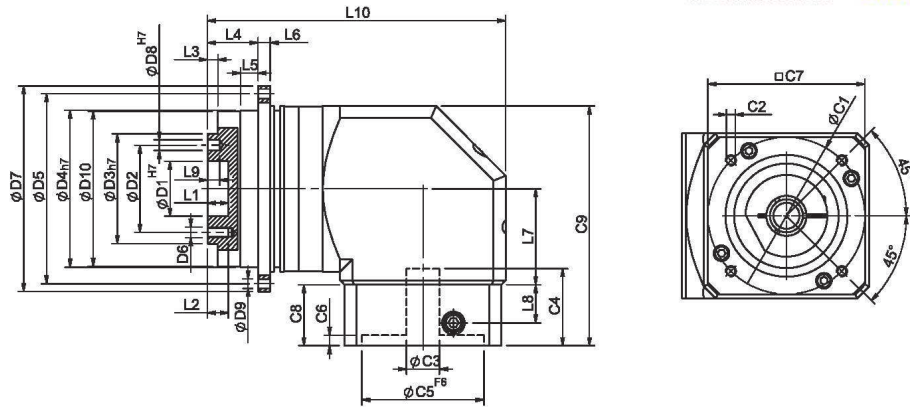




FICOBA (Recinto Ferial Gipuzkoa)  
 AVDA. IPARRALDE, 43 - ROOM 3  
 20302 IRUN-GIPUZKOA (SPAIN)  
 ☎ 00 34 646 211965  
 ✉ RCC@RCCINDUSTRIAL.COM  
 🌐 RCCINDUSTRIAL

INDUSTRIAL SOLUTIONS [WWW.RCCINDUSTRIAL.COM](http://WWW.RCCINDUSTRIAL.COM)

## PGFR Single Stage Dimensions PGFR單段外型尺寸圖



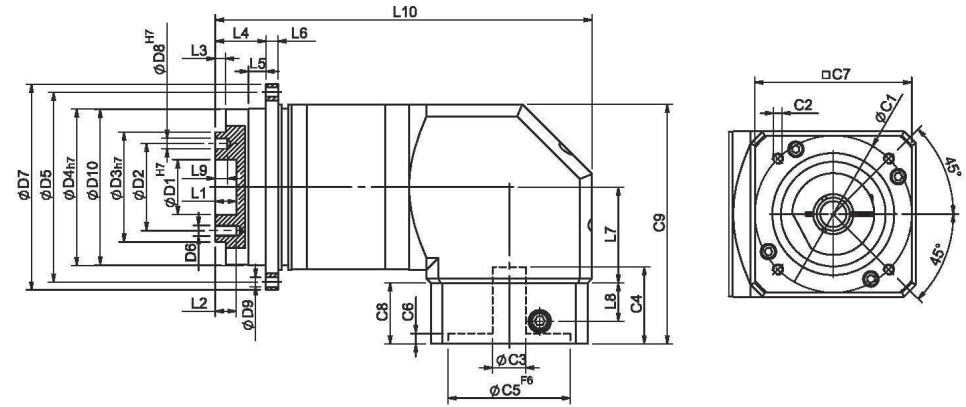
## Specifications 規格

Unit:mm

尺寸 Dimensions	PGFR42	PGFR60	PGFR90	PGFR115
D1 <sub>H7</sub>	-	-	31.5	-
D2	-	-	50	-
D3 <sub>H7</sub>	-	-	63	-
D4 <sub>H7</sub>	-	-	90	-
D5	-	-	109	-
D6	-	-	M6x1.0P	-
D7	-	-	118	-
D8 <sub>H7</sub>	-	-	6	-
D9	-	-	5.5	-
D10	-	-	89.2	-
L1	-	-	12	-
L2	-	-	12	-
L3	-	-	6	-
L4	-	-	29	-
L5	-	-	10	-
L6	-	-	7	-
L7	-	-	55	-
L8	-	-	22	-
L9	-	-	7	-
L10	-	-	171.1	-
C1 <sup>2</sup>	-	-	90	-
C2 <sup>2</sup>	-	-	M6x1.0P	-
C3 <sup>2</sup>	-	-	≤19/≤24	-
C4 <sup>2</sup>	-	-	44	-
C5 <sup>2</sup> <sub>F6</sub>	-	-	70	-
C6 <sup>2</sup>	-	-	5	-
C7 <sup>2</sup>	-	-	90	-
C8 <sup>2</sup>	-	-	35	-
C9 <sup>2</sup>	-	-	137.5	-

★ C1~C9是公製標準馬達連接板尺寸,請依所選用的馬達決定。  
 ★ C1~C9 are motor specific dimensions(metric std shown).  
 Size may vary according to motor flange.  
 ★ 本公司有權針對以上數據規格進行設計變更不先行告知。  
 ★ Specification subject to change without notice.

## PGFR Double Stage Dimensions-1 PGFR雙段外型尺寸圖-1



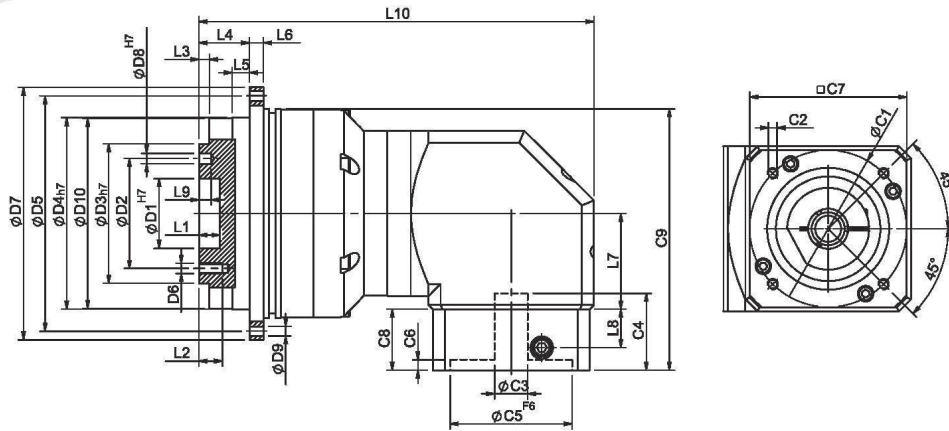
## Specifications 規格

Unit:mm

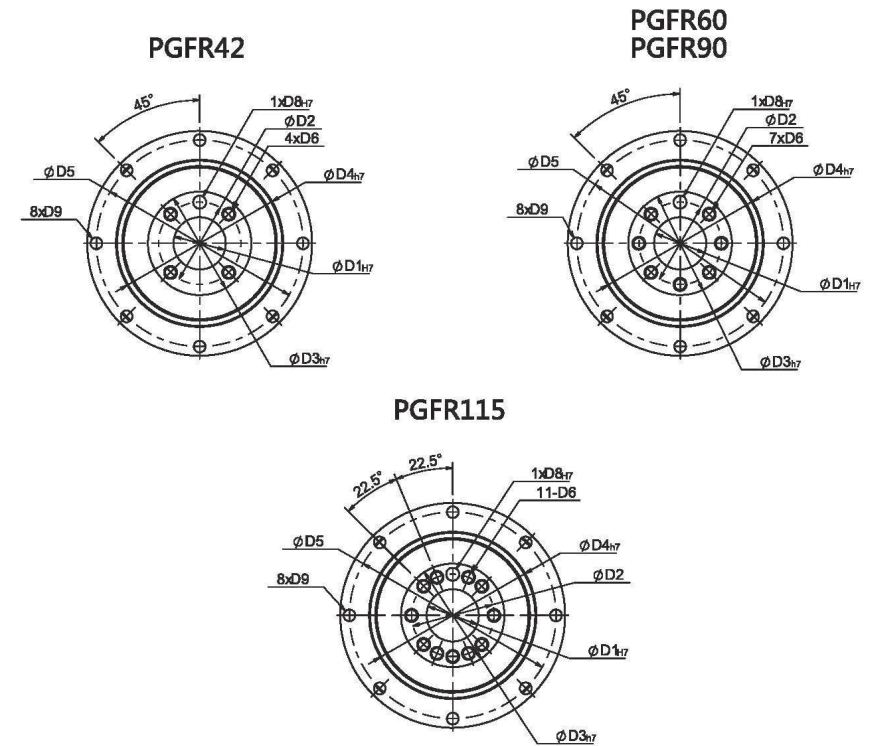
尺寸 Dimensions	PGFR42	PGFR60	PGFR90	PGFR115
D1 <sub>H7</sub>	-	-	31.5	-
D2	-	-	50	-
D3 <sub>H7</sub>	-	-	63	-
D4 <sub>H7</sub>	-	-	90	-
D5	-	-	109	-
D6	-	-	M6x1.0P	-
D7	-	-	118	-
D8 <sub>H7</sub>	-	-	6	-
D9	-	-	5.5	-
D10	-	-	89.2	-
L1	-	-	12	-
L2	-	-	12	-
L3	-	-	6	-
L4	-	-	29	-
L5	-	-	10	-
L6	-	-	7	-
L7	-	-	55	-
L8	-	-	22	-
L9	-	-	7	-
L10	-	-	216.1	-
C1 <sup>2</sup>	-	-	90	-
C2 <sup>2</sup>	-	-	M6x1.0P	-
C3 <sup>2</sup>	-	-	≤19/≤24	-
C4 <sup>2</sup>	-	-	44	-
C5 <sup>2</sup> <sub>F6</sub>	-	-	70	-
C6 <sup>2</sup>	-	-	5	-
C7 <sup>2</sup>	-	-	90	-
C8 <sup>2</sup>	-	-	35	-
C9 <sup>2</sup>	-	-	137.5	-

★ C1~C9是公製標準馬達連接板尺寸,請依所選用的馬達決定。  
 ★ C1~C9 are motor specific dimensions(metric std shown).  
 Size may vary according to motor flange.  
 ★ 本公司有權針對以上數據規格進行設計變更不先行告知。  
 ★ Specification subject to change without notice.

PGFR Double Stage Dimensions-2 PGFR雙段外型尺寸圖-2



PGFR Flange Dimensions PGFR法蘭面尺寸圖



Specifications 規格

Unit:mm

尺寸 Dimensions	PGFR60T	PGFR90T	PGFR115T
D1 <sub>H7</sub>	-	-	40
D2	-	-	63
D3 <sub>H7</sub>	-	-	80
D4 <sub>H7</sub>	-	-	110
D5	-	-	135
D6	-	-	M6x1.0P
D7	-	-	145
D8 <sub>H7</sub>	-	-	6
D9	-	-	5.5
D10	-	-	109.2
L1	-	-	12
L2	-	-	13.5
L3	-	-	6
L4	-	-	29
L5	-	-	10
L6	-	-	8
L7	-	-	55
L8	-	-	22
L9	-	-	7
L10	-	-	226.6
C1 <sup>2</sup>	-	-	90
C2 <sup>2</sup>	-	-	M6x1.0P
C3 <sup>2</sup>	-	-	≤19/≤24
C4 <sup>2</sup>	-	-	44
C5 <sup>2</sup> <sub>F6</sub>	-	-	70
C6 <sup>2</sup>	-	-	5
C7 <sup>2</sup>	-	-	90
C8 <sup>2</sup>	-	-	35
C9 <sup>2</sup>	-	-	150

Specifications 規格

Unit:mm

尺寸 Dimensions	PGFR42	PGFR60	PGFR90	PGFR115	PGFR142
D1 <sub>H7</sub>	12	20	31.5	40	-
D2	20	31.5	50	63	-
D3 <sub>H7</sub>	28	40	63	80	-
D4 <sub>H7</sub>	47	64	90	110	-
D5	67	79	109	135	-
D6	M3x0.5P	M5x0.8P	M6x1.0P	M6x1.0P	-
D8 <sub>H7</sub>	3	5	6	6	-
D9	3.4	4.5	5.5	5.5	-

\* C1~C9是公製標準馬達連接板尺寸,請依所選用的馬達決定。  
 \* C1~C9 are motor specific dimensions(metric std shown).  
 Size may vary according to motor flange.  
 \* 本公司有權針對以上數據規格進行設計變更不先行告知。  
 \* Specification subject to change without notice.

\* 本公司有權針對以上數據規格進行設計變更不先行告知。  
 \* Specification subject to change without notice.